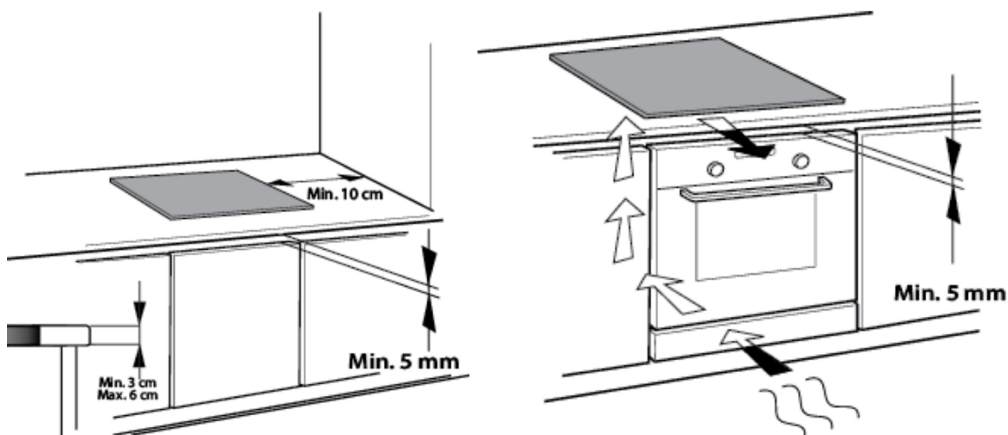


Induction cooktop vents installation and warranty requirements.



VENTILATION REQUIREMENTS



Under any circumstances, make sure the induction cooktop is well ventilated and the air inlet and outlet are not blocked. Ensure the induction cooktop is in good work state.

ONE YEAR LIMITED WARRANTY

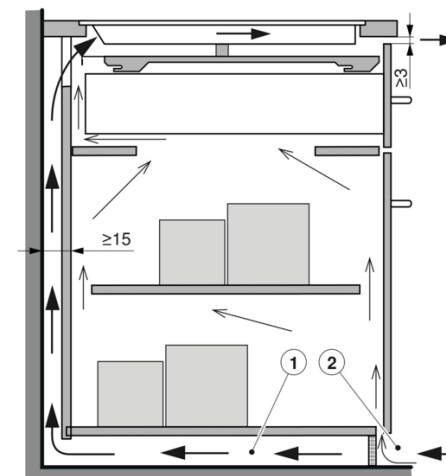
WHAT IS NOT COVERED

1. Commercial, non-residential, multiple-family use, or use inconsistent with published user, operator or installation instructions.
3. Service to correct improper product maintenance or installation

Ventilation

In order to guarantee good ventilation, a space of ≥ 10 mm height is necessary beneath the appliance.

1. The rear panel of the base unit must be open around the worktop cut-out to guarantee continuous air circulation via the ventilation slits. The air must be drawn in from outside the cabinet and be able to circulate freely from inside the cabinet to the hob.
2. Alternatively, a concealed fresh air supply can ensure air circulation inside the cabinet. In order that enough cold air can be drawn in, there must be a continuous circulation of fresh air that extends outside the cabinet. The air must be drawn in from outside the cabinet and be able to circulate freely from inside the cabinet to the hob.



DETAILS

V-ZUG Warranty

What is excluded?

The company guarantee does not cover damage occurring after manufacture, such as transport damage, damage caused by handling or installing the appliance contrary to the specifications