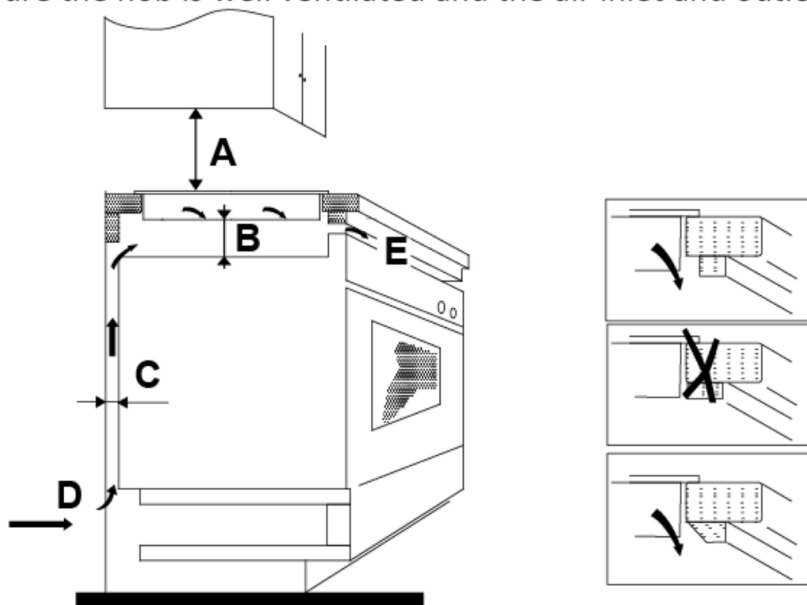


# Induction cooktop vents installation and warranty requirements.



The manufacturer will not be responsible for any damage to property or to persons caused by incorrect installation or improper use of the appliance.

- **WARNING:**
  - Failure to install the appliance correctly could invalidate any warranty or liability claims.
- Ensure the hob is well ventilated and the air inlet and outlet are not blocked.



A(mm)	B(mm)	C(mm)	D	E
600min	50 min	20 min	Air intake	Air exit 5mm

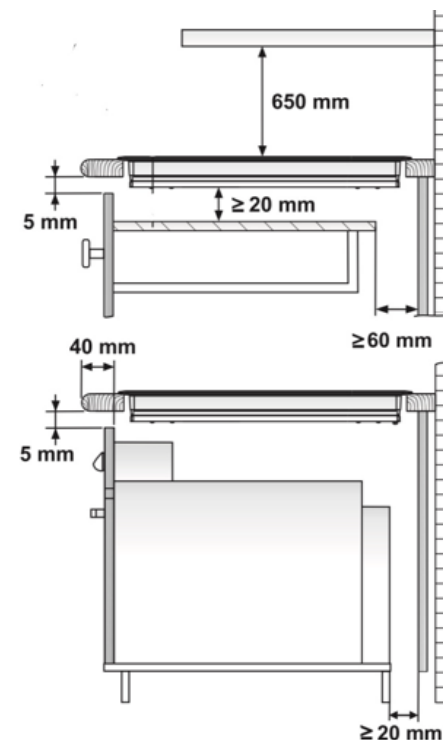
## When you have installed the hob, make sure that

- There is adequate flow of air from outside the cabinetry to the base of the hob.

The manufacturer will not be responsible for any damage to property or to persons caused by incorrect installation or improper use of the appliance.

This Service Warranty does not cover:

- Correcting the installation of the Product to align with the Product User Manual.
- Damage caused by pests or vermin (e.g., rats, cockroaches, etc.).



## C. NOT Covered by Warranty

- Damage caused as a result of incorrect installation of appliances with inadequate cabinet ventilation