

# Induction cooktop vents installation and warranty requirements.

## SIEMENS

### 1.1 General information

- Read this instruction manual carefully.
- Improper installation, opening of the appliance, connection or assembly may lead to a loss of validity of the product warranty.

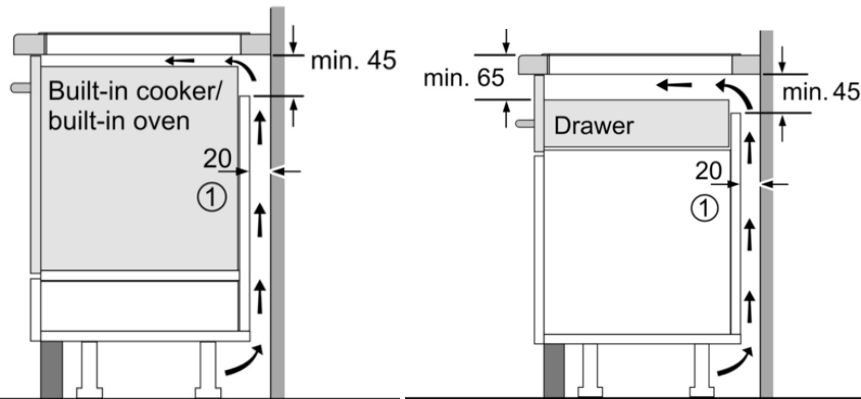
#### ATTENTION!

A fan is located on the underside of this hob.

- ▶ If a drawer is located on the underside of the hob, do not store any small or pointed objects, paper or tea towels in it. These objects may be sucked in and damage the fan or impair the cooling.
- ▶ There must be a clearance of at least 2 cm between the contents of the drawer and the fan entry point.

#### Ventilation

To guarantee that the appliance works correctly, the hob must be sufficiently ventilated. The ventilation in the lower section of the appliance requires a sufficient supply of fresh air. Therefore, if required, adjust the units for this purpose.



① Ventilation gap must be present

① Ventilation gap must be present.

#### This warranty will not apply in the following cases:

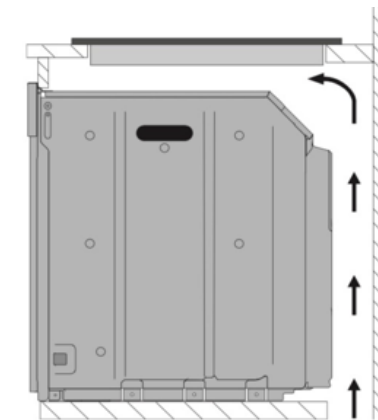
iv) the appliance is damaged as a direct result of incorrect installation or being used for a purpose for which it not designed, sold or otherwise not in accordance with any instructions for installation and use.

## smeg

- Do not use or store flammable materials near the appliance or directly underneath the hob.
- Do not obstruct ventilation openings and heat dispersal slots.

### 1.3 Manufacturer's liability

- The manufacturer declines all liability for damage to persons or property caused by:
- Failure to comply with the instructions in the user manual



opens on bottom

#### LIMITS OF LIABILITY:

Smeg disclaims all liability for any damage that may directly or indirectly be derived to people, property and domestic animals due to failure to comply with the provisions indicated in the User Handbook supplied with the product, concerning mainly the guidelines for installation, use and maintenance of the appliance.

#### EXCLUSIONS:

- Works relating to installation