

# Induction cooktop vents installation and warranty requirements.



## PREPARATION FOR INSTALLATION AND USE

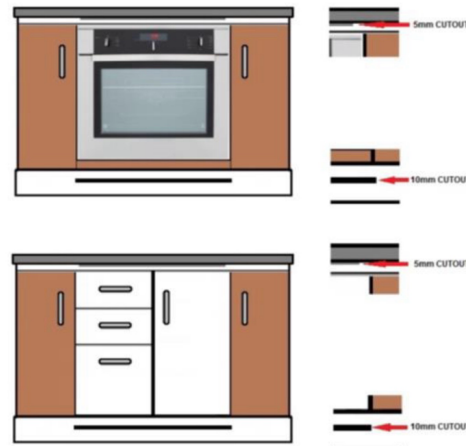
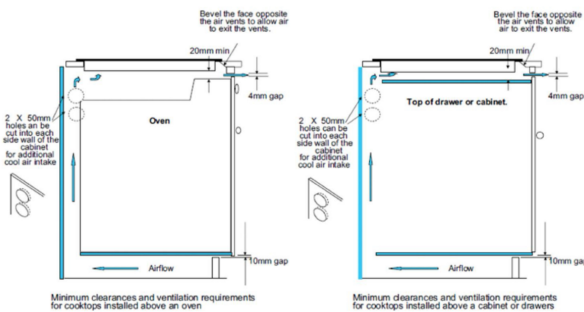
Manufactured with best quality parts and materials, this modern, functional and practical cooktop will meet your needs in all respects. Make sure to read the manual to obtain successful results so as not to experience any problems in the future. The information given below contains rules that are necessary for correct positioning and service operations. They should be read without fail, especially by the technician who will position the appliance.

**The manufacturer will not be responsible for any damage to property or to persons caused by incorrect installation or improper use of the appliance.**

11. **WARNING** – The surface temperature of this appliance exceeds 95°C. To avoid a hazard, under bench access must be restricted. A board must be installed underneath the cooktop. Heat from the underside of the unit will be expelled by inbuilt fans – do not block.

These induction cooktops are fitted with cooling fans that draw fresh air from the rear of the unit and expel the warmed air through vents at the front. When installing your cooktop, the following ventilation requirements are essential:

- 4mm ventilation cut-out below the benchtop. The minimum length should be the same as the cooktop.
- 10mm ventilation cut-out in the base of the cabinet. Minimum length is the same as the cooktop.
- 20mm gap behind oven or drawers.
- 20mm gap between the cooktop base and the oven/cabinet top/drawer.
- Do not allow these gaps to be blocked at any time.



**WARNING:**  
This product needs to be adequately ventilated to operate properly and ensure a long working life. Please see diagrams.

## What is not Covered by our Warranty

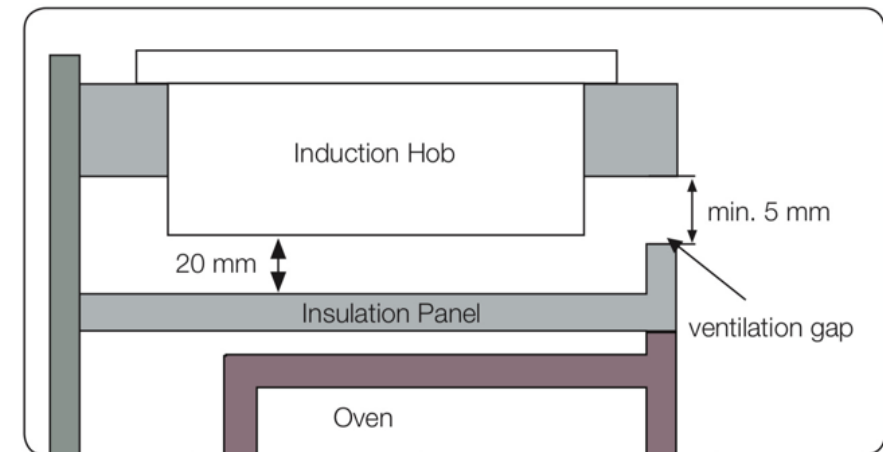
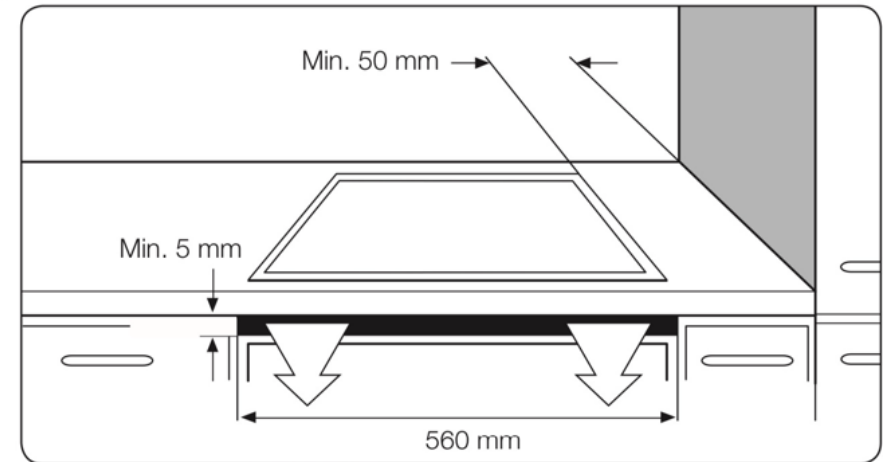
Any failure caused by the product not being used in accordance with the instruction and the installation manual provided with the product.

**Insect or vermin infestation.**

Do not use or place inflammable sprays or objects near the hob.

- This may result in fire or an explosion.

- The ventilation gap between the worktop and front of the unit underneath it must not be covered.



## Warranty Exclusions

- improper installation;